



PRODUCT DESCRIPTION	
<p>Elevate any display with StraightLine J Doors, expertly crafted for both security and style. Featuring an anti-tampering keyless combination lock, they ensure safe and secure storage during events. Their sleek, modern design seamlessly integrates with StraightLine & BrightLine modular displays, providing a seamless integration. With One Planet Graphics, these doors come fully branded with double-sided graphics for enhanced brand visibility.</p> <p>Designed for effortless setup, the tool-free assembly saves time, while the collapsible design allows for easy packing into foam-lined shipping cases for ultimate portability. Offering the perfect blend of functionality and sophistication, StraightLine J Doors are an essential addition to any brand event or booth.</p>	

DISPLAY CONSTRUCTION	
Aluminum frame with aluminum support poles	

DIMENSIONS	
Assembled Unit	40" w x 89" h x 4" d
Packed Case	46.5" w x 15" h x 8.7" d, 44 lbs
Shipping Box	47" w x 16" h x 10" d, 46 lbs
Graphic Size	40" w x 89" h

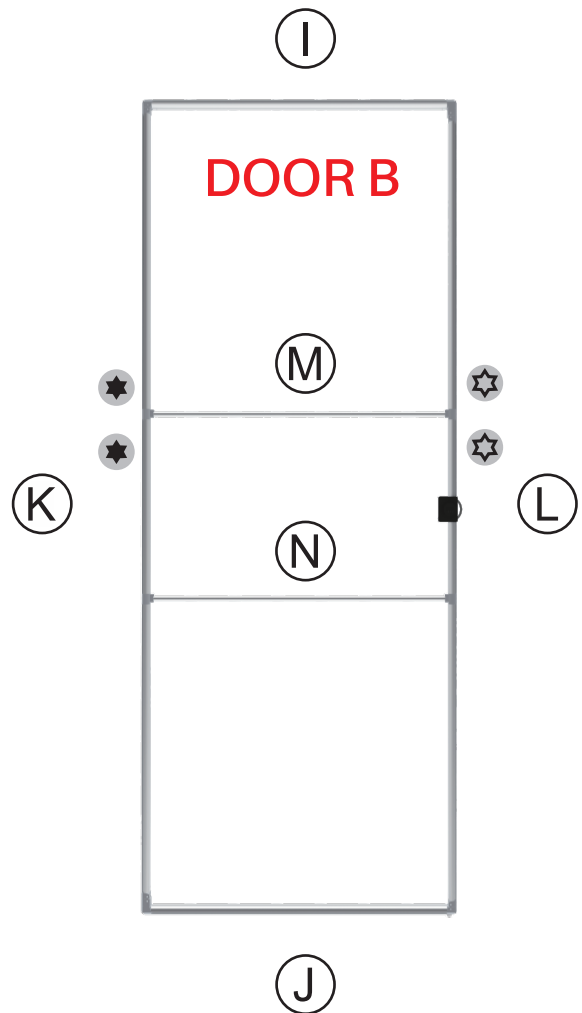
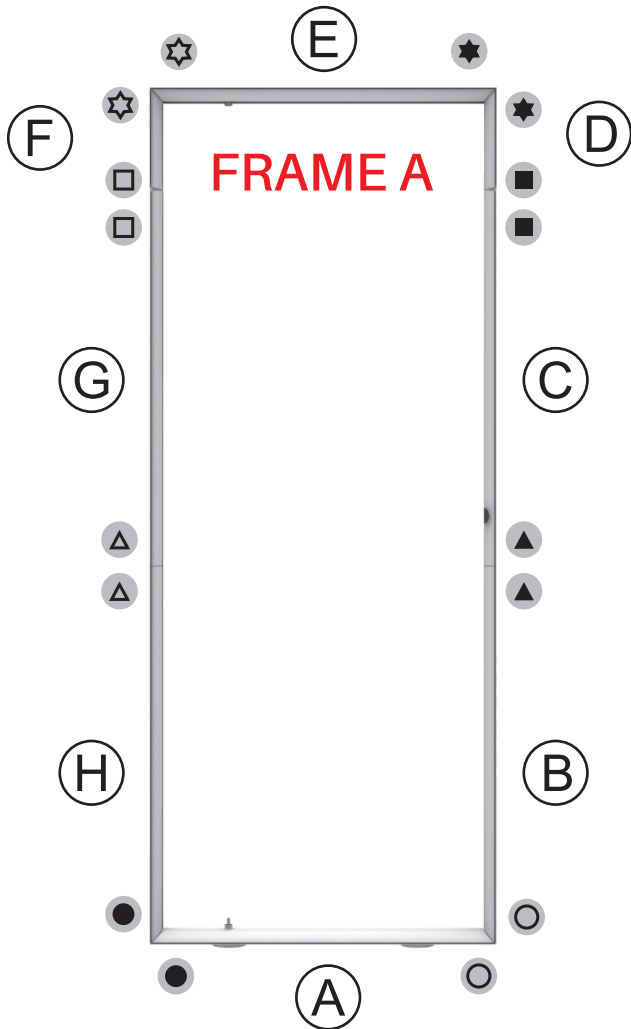
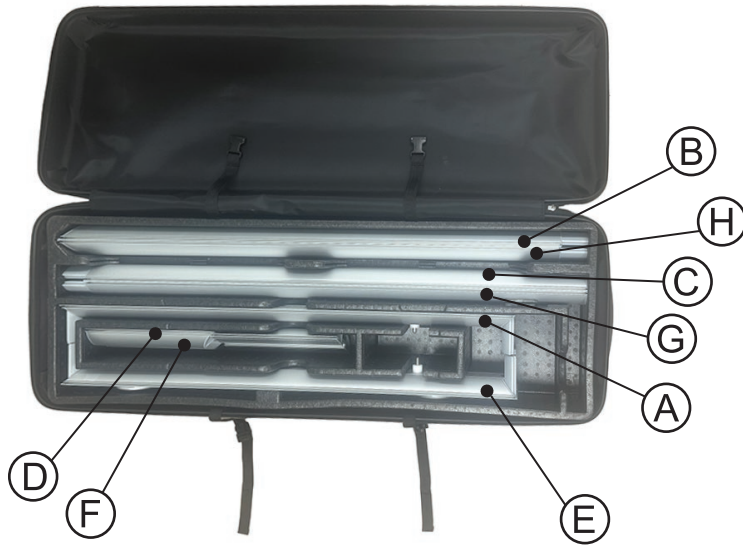
KEY FEATURES	
<ul style="list-style-type: none"> • Modular system • Easy tool free assembly • Lightweight portable construction • Anti-tampering keyless combination lock 	<ul style="list-style-type: none"> • Heavy duty shipping case, molded foam inserts • Includes 2 printed graphics • Vibrant graphics on recycled fabric

GRAPHIC MATERIAL	
Graphic Print : Dye sublimated on One Planet, 100% recycled, fabric	Bottles recycled 48

GRAPHIC FINISHING	
Silicone sewn edges	

WARRANTY	
Limited Warranty Periods - Frame : Lifetime - Graphics : 30 days	

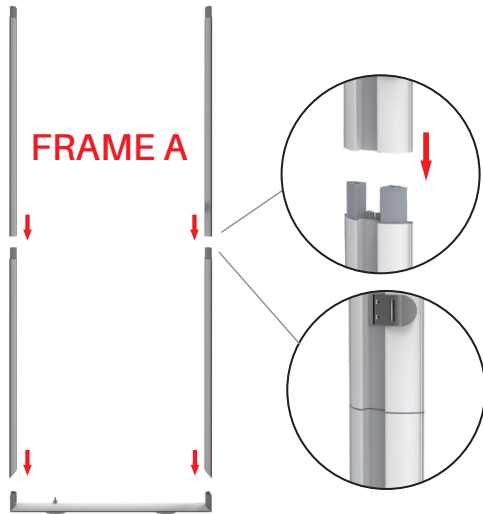
PARTS



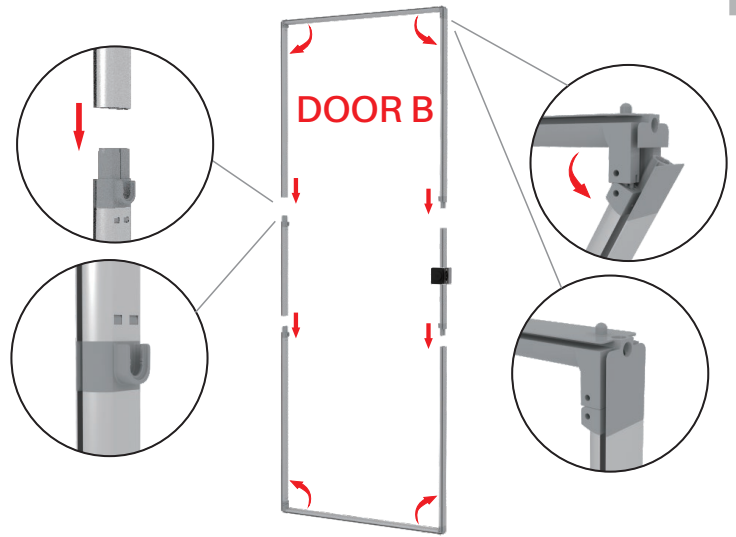
ASSEMBLY

Assemble parts on the floor and stand-up unit when completed.

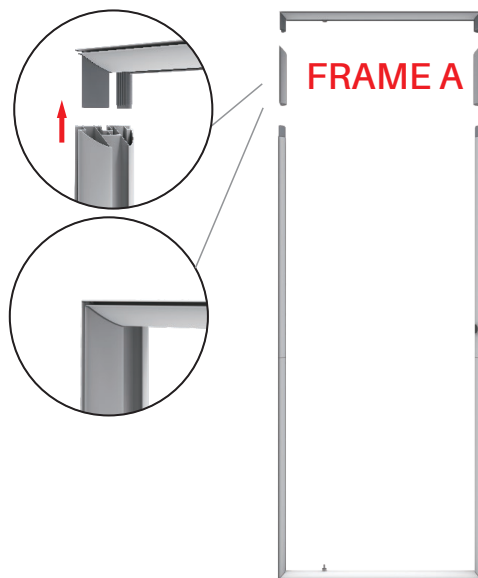
1



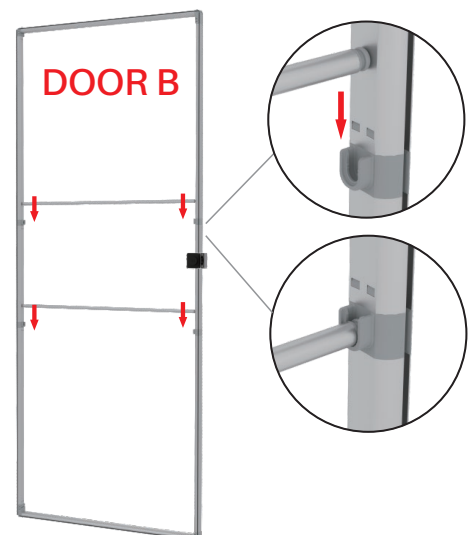
3



2



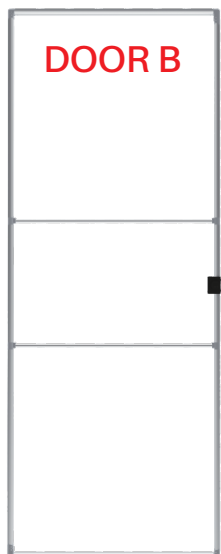
4



ASSEMBLY

Assemble parts on the floor and stand-up unit when completed.

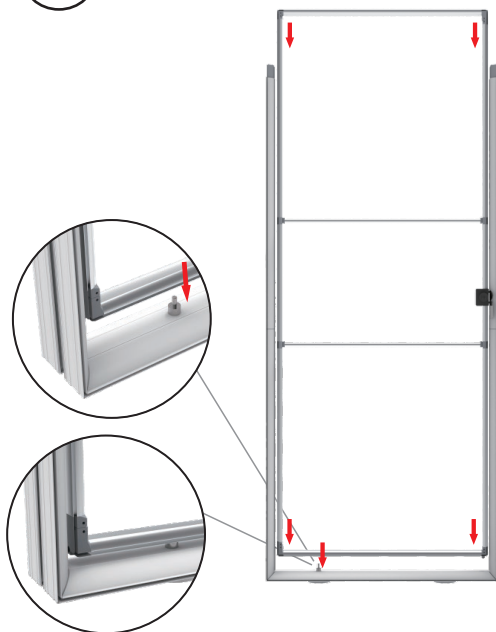
5



7



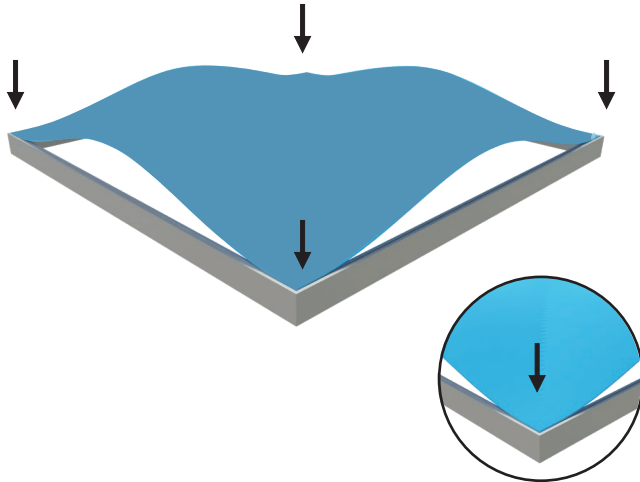
6



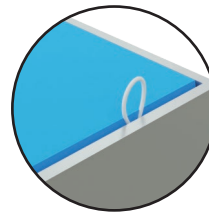
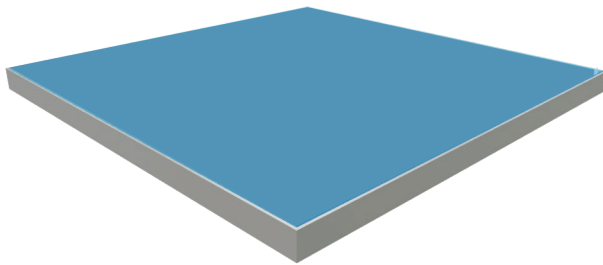
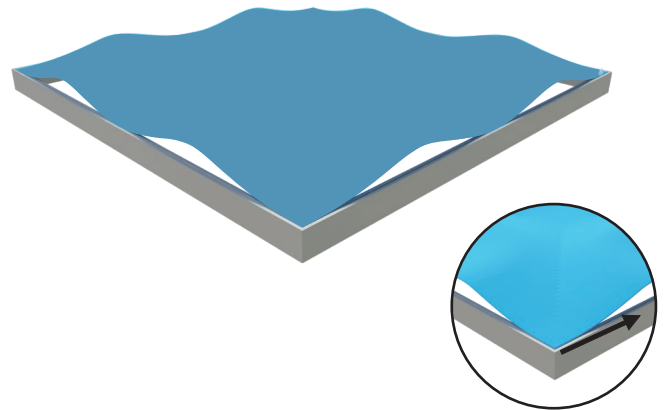
8



9 Push the silicone bead into each corner of the frame with your thumb.



Push the silicone bead into the middle of the run and work your way around the perimeter of the frame until all beading is pushed in properly



To Remove Graphic
Use the pull tab located on the graphic and gently pull the graphic from the frame, going around the perimeter

10



Turn to default passcode (000) and twist knob to unlocked position



Insert pin in the reset hole on the side and keep pressing while setting new passcode



Release and remove pin from hole